



**I RUN ON AIR**



*Green'Air*

## CONCEPT

## GREEN'AIR, A FRESH APPROACH

Golf courses, resorts, tourist spots, or industrial spaces, this vehicle is the perfect option for short distances.

It's always comforting to see your vehicle wishing you a good day with its indicator lights when you start it. The all new Green'Air extends this gesture with its embracing comfort that makes you feel like floating on AIR.

What's even more comforting for a fleet manager is to ensure uninterrupted service and absolute confidence in his logistical tools.

Green'Air is designed to be simple to use. You will enjoy its comfort and intuitive access to easy driving.

Because it was built thinking of you, you will appreciate simplicity of charging, maintenance and care.

Finally, because it comes from an eco-design respecting co-consumption, your image will be even more totally green.





## DESIGN

### A MODERN LOOK

An identifiable and resolutely modern style. The positioning of the wheels at the 4 corners of the vehicle gives it a stable and robust attitude. High on legs and fitted with 12-inch tires gives the Green'Air its dynamic style.

### ERGONOMIC

For the convenience of users, we have included storage compartments integrated into the dashboard. In the center, a compact refrigerator, cooled with the exhaust clean air, can store bottles, cans, and other appetizers on the go. The upper part of the dashboard incorporates a support for positioning a tablet or A4 format sheet. In the lower part, smartphones can be recharged via 2 USB ports or an induction charger.



## DRIVING & COMFORT

Facing the wheel, drivers have a perfect view of their environment. All driving accessories are within arm's reach.

As soon as you turn the key, the air motor responds. Little noise, no pollution, ejecting only cold air, our totally green technology is pleasant for the driver.

The high-density cushioning provides a firm, comforting welcome, with a waterproof and non-perspiring coating, which supports sustained frequentation and daily high-pressure cleaning.



2 ou 4 seats



20 à 25 km/h



40 à 60 km on asphalt





 CONTRAST



Current  
Golf Cart



*Green' Air*  


 CONTRAST



Current  
Golf Cart



*Green' Air*  
MDi



 CUSTOMIZABLE

Depending on your needs and inspiration, a dedicated service for customization will provide you with all the information on optional features that fit that fits your requirements.

## FRAME

## SIMPLE &amp; ROBUST

The structural frame has been designed in collaboration with CARTOL. Their skills and knowledge have driven the engineers toward a real automotive architecture, which is lightweight and rigid.





## TANKS

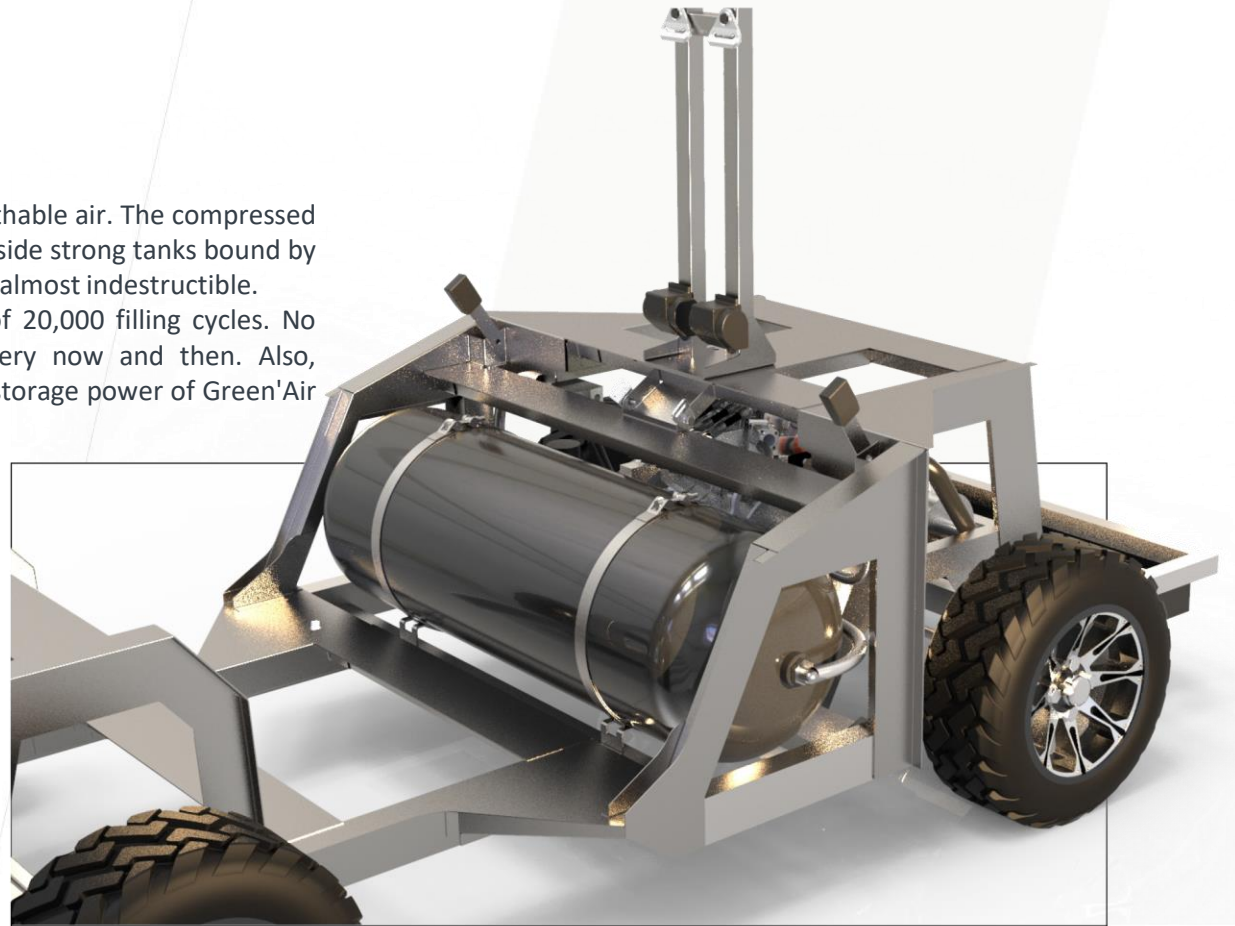
### CARBON TANKS

The only emission of Green'Air is cold, breathable air. The compressed air is stored under a pressure of 248 bars inside strong tanks bound by carbon fiber filaments. These reservoirs are almost indestructible. These tanks have a theoretical longevity of 20,000 filling cycles. No more expensive battery replacements every now and then. Also, unlike with the battery based systems, the storage power of Green'Air does not depreciate over the years.

### REFILL AND AIR STATION

Our concept has several technological advantages, both ecological and economical. Compressed air is not itself an energy, but a means to store it, to restore it in the form of movement. Thus, the Green'Air moves using the compressed air. If you have abundant green energy, you can store it by compressing air into a tank. Energy will remain available without any loss.

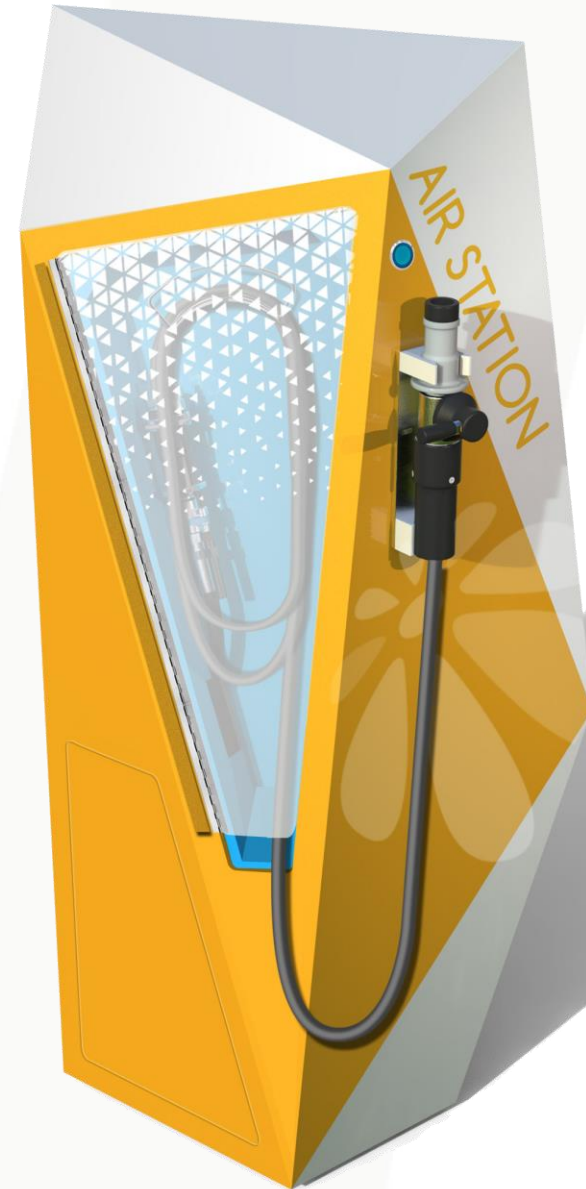
To power a fleet of Green'Air carts, it is preferable to have an air compressor station, ideally powered by green energy. (photovoltaic, wind, tidal, ...). Charging your vehicles will be fast, flexible, and independent of the electricity grid. By purchasing an air station, your energy source will be independent. The compression of air from conventional electrical energy remains possible.



## QUICK REFILL AND AIR STATION

### ONLY ONE MINUTE TO REFILL

The filling of the Green'Air tank takes just 1 minute with the air station. A full tank of compressed air is sufficient for a day and the vehicle is immediately available for use. The fleet manager can proceed with the filling of tanks whenever required. Available energy stock can be managed according to needs.





## TECHNOLOGY

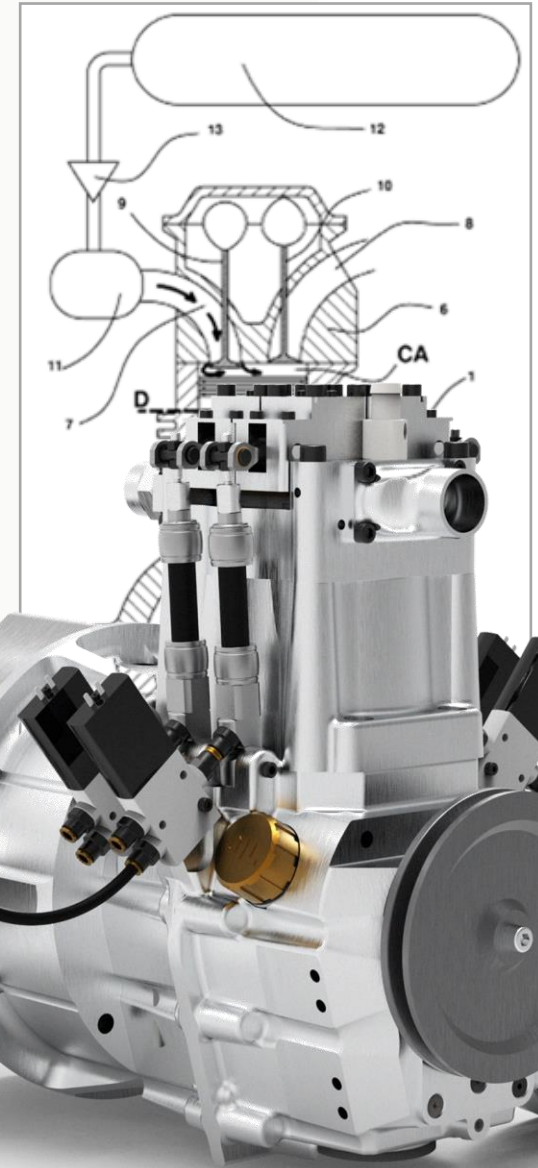
### EFFICIENT

MDI's core business is to develop clean technologies using compressed air as vector of energy. Global energy challenges require the choice of new paradigms for energy production and storage



### CLEAN

The accumulation of the energy from a primary source, then destocking it with excellent round-trip performance, is the challenge that our concept of compressed air motorization resolves.



## TECHNOLOGY

### ADVANTAGE OF TECHNOLOGY

**«Our compressed air motor technology has a wealth of differentiating benefits.»**

First of all, the fact that our engines are totally green is an asset for our environment, for users, and also for your personal brand.

Would you like to be the first to stand out in this way in your daily life?

As fleet managers, you do not have to wait for your vehicle to be recharged: one minute of connection on the air station is enough to restore autonomy for a new uninterrupted cycle of usage.

Our air tank has an exceptional longevity, theoretically evaluated at twenty thousand cycles. This represents over twenty years of use depending on its daily charging frequency.

We designed the body of our vehicles with fiberglass, polyurethane and resin. Covered with a gel-coat; if scratched, just a simple rub down with a cloth damped in polishing product will make it good as new.





# L7e

HOMOLOGATION

Each Green'Air version is designed to be homologated (L7e norm) for public road use. You can choose a homologated Green'Air or one for private uses only.



## LIGHTING



## MIRRORS



## SAFETY BELT



COMMON BASE



GOLF CLUB\_



PASSENGER\_



UTILITY\_





An aerial photograph of a lush green golf course. The course features several fairways, green fairways, and sand traps. A winding road runs through the middle of the course. In the background, a coastal city with a harbor and a large ship is visible under a clear blue sky. The text 'GOLF CLUB' is overlaid in large, white, sans-serif capital letters in the center of the image.

# GOLF CLUB

RECREATIONAL VEHICLE FOR GOLF

CLASSIC ELEGANT  
GREEN SPORTING



# GOLF CLUB\_INSPIRATIONS

LIFESTYLE



COLOURS



PRODUCT



SHAPES AND PATTERNS



ENVIRONMENT



MATERIALS

## GOLF CLUB

### ELEGANT

This version has 2 seats as well as a closed trunk. The rear shelf serves as a support for placing the golf bags. The bags are held in place by the detachable straps.





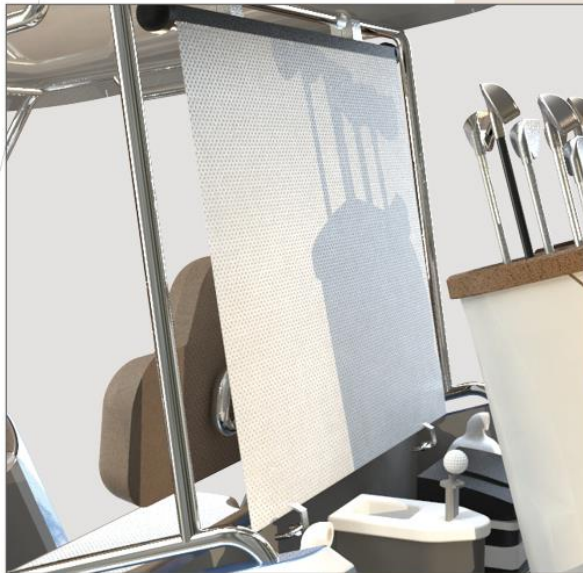
## GOLF CLUB\_SPECIFIC EQUIPMENT

GOLF EQUIPMENT



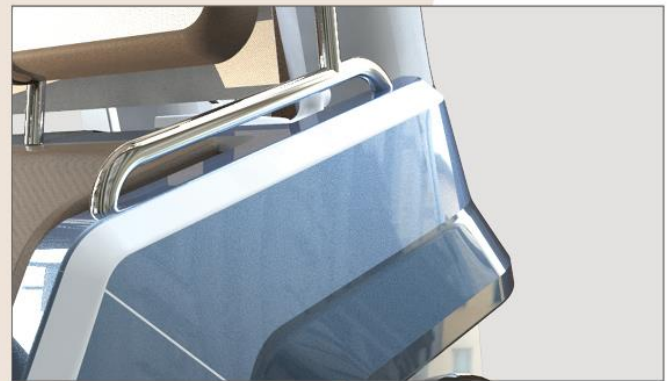
EXCLUSIVE 12" RIMS

FOLDABLE WINDOW



SUN VISOR

EXCLUSIVE STEERING WHEEL



EXCLUSIVE TWO-TONE PAINT



CUSTOM DOOR SILL





**GOLF CLUB\_**

*Green' Air*



**GOLF CLUB**

*Green Air*





# VIP PASSENGERS

4-SEATER VEHICLE FOR THE TRANSPORT OF PEOPLE

**CHIC** SOBER  
**FASHION**



# VIP PASSENGERS INSPIRATIONS

LIFESTYLE



COLOURS



PRODUCT



SHAPES AND PATTERN



ENVIRONMENT



MATERIALS

## VIP PASSENGERS

### CHIC

---

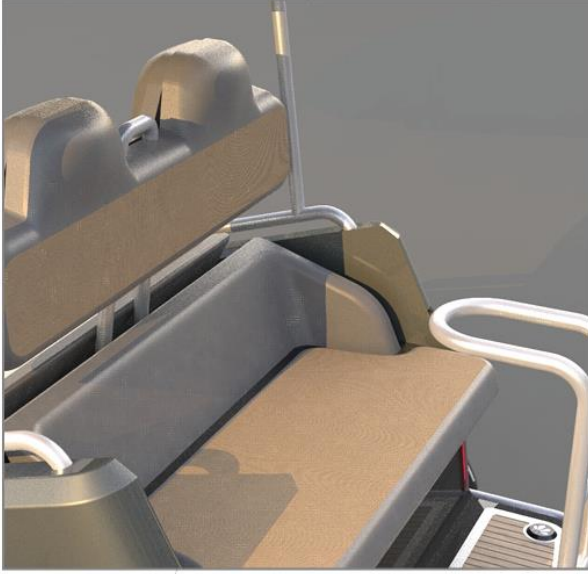
Able to comfortably accommodate 4 people, this version is intended for the transport of passengers. The frame drawn around the occupants serves as support during journeys.





## VIP PASSENGERS \_ SPECIFIC EQUIPMENT

REAR BENCH



PREMIUM STEERING WHEEL



REAR HOLD GRIP



12" PREMIUM RIMS



PREMIUM FLOOR COVERING



TWO-TONE CUSTOM COLOR



PASSENGERS\_  
*Green' Air*





**PASSENGERS\_**

*Green' Air*





The background is a split image. The left side shows a large warehouse interior with high ceilings, white structural beams, and tall blue metal shelving units filled with stacks of wooden pallets. A yellow forklift is visible in the foreground. The right side shows an airport tarmac at sunset or sunrise, with a large commercial airplane on the right, several ground support vehicles, and workers in high-visibility vests. The text "PRO WORKER" is overlaid in large white letters across the center of the image.

# PRO WORKER

VEHICLE FOR PROFESSIONAL USE

**SOBER** ROBUST  
**SAFE**



# PRO WORKER\_INSPIRATIONS

LIFESTYLE



COLOURS



PRODUCT



SHAPES AND PATTERN



ENVIRONMENT



MATERIALS

## PRO WORKER

### FUNCTIONAL

Equipped with a mini-skip, this utility version will allow you to carry out any type of work such as the maintenance of green spaces in hotel complexes or golf courses.





## PRO WORKER\_ SPECIFIC EQUIPMENT

HOMOLOGATION KIT



LOADING DUMPSTER



ROOF GALLERY



12" BASIC RIMS



HITCH HOOK



BASIC COLOR





**PRO WORKER**

*Green Air*

MDI





**PRO WORKER\_**

*Green' Air*



# YACHT CLUB

SPECIAL SERIES

PURE TAILOR MADE  
EXCLUSIVE

# YACHT CLUB\_INSPIRATIONS

LIFESTYLE



COLOURS



PRODUCT



SHAPES AND PATTERN



UNIVERS



MATERIALS



## YACHT CLUB



### EXCLUSIVE

An exclusive and luxury version inspired by yachts.  
Our tailor-made service allows you to create your unique Green-Air.

## YACHT CLUB\_SPECIFIC EQUIPMENT

EXCLUSIVE FINISH



EXCLUSIVE SUITCASE



YACHT TYPE TEAK FLOOR





*Green' Air Yacht Club*

**YACHT CLUB**  
*Green' Air*







**YACHT CLUB\_**  
*Green Air*



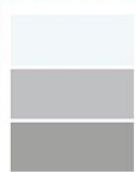


*Green' Air Yacht Club*

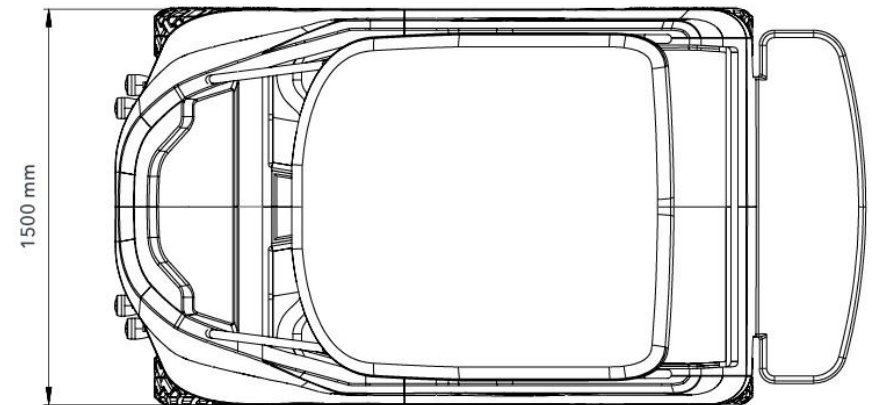
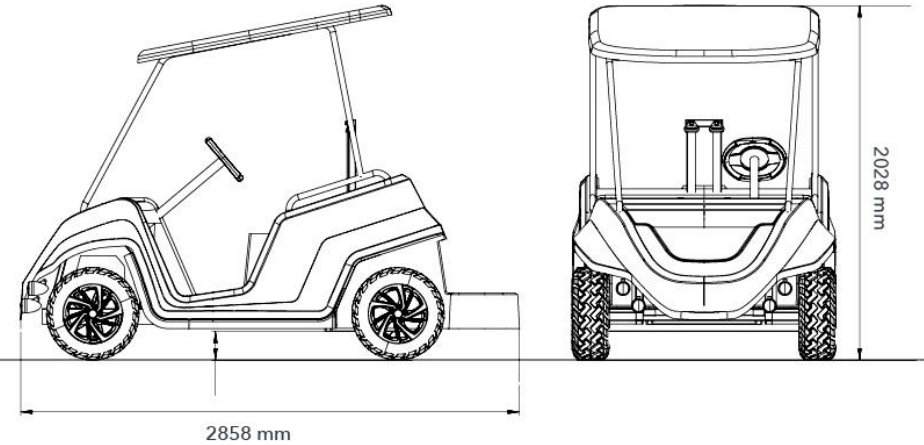


**YACHT CLUB\_**

*Green' Air*



Label emission Seats	A/C compresses air 2-4
<b>ENGINE</b>	
Power Max torque Max speed Fuel	7 kW nominal 45 Nm nominal 1500 rpm Compressed air (248 bar)
<b>PERFORMANCE</b>	
Max speed Autonomy	20 to 32 Km/h (Private) / 45 km/h (Homologated) 40 - 60 km on asphalt
<b>GEARBOX</b>	
Automatic Number of AV reports	Gearbox or dimmer 1 + reverse
<b>WHEELS &amp; TYRES</b>	
Number of wheels Dimension tire Front Dimension tire Rear Brakes	4 12" 12" 4-disc brakes
<b>MASSES</b>	
Length Width Height	2858 mm 1500 mm 2028 mm
<b>MASSES</b>	
Empty	250 kg





Follow us!

[www.mdi.lu](http://www.mdi.lu)



Contact us!

[info@mdigroup.eu](mailto:info@mdigroup.eu)